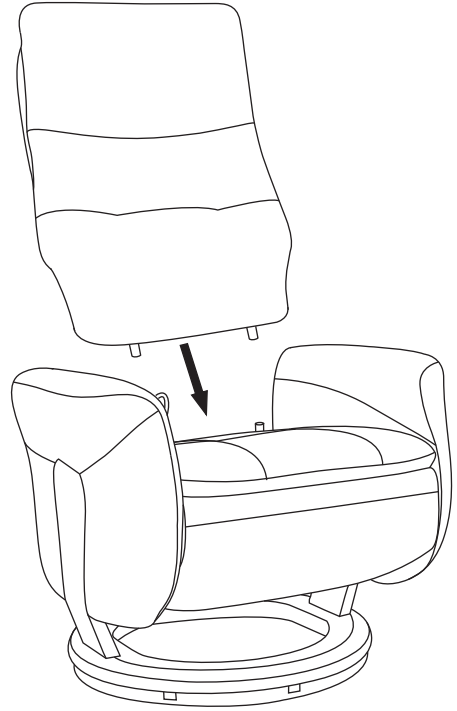
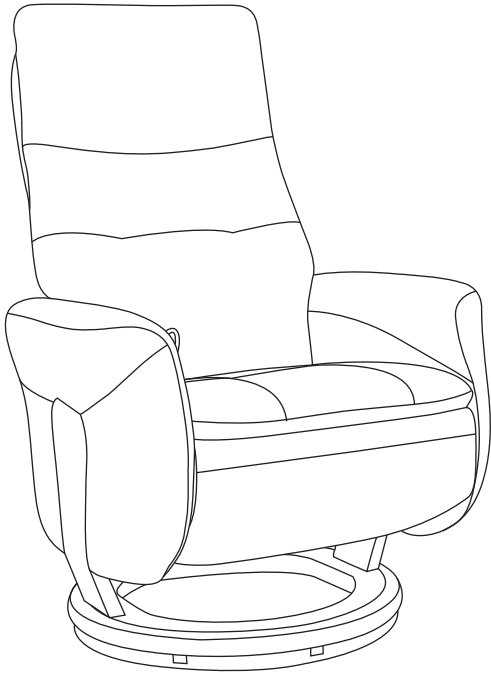


# 7745A

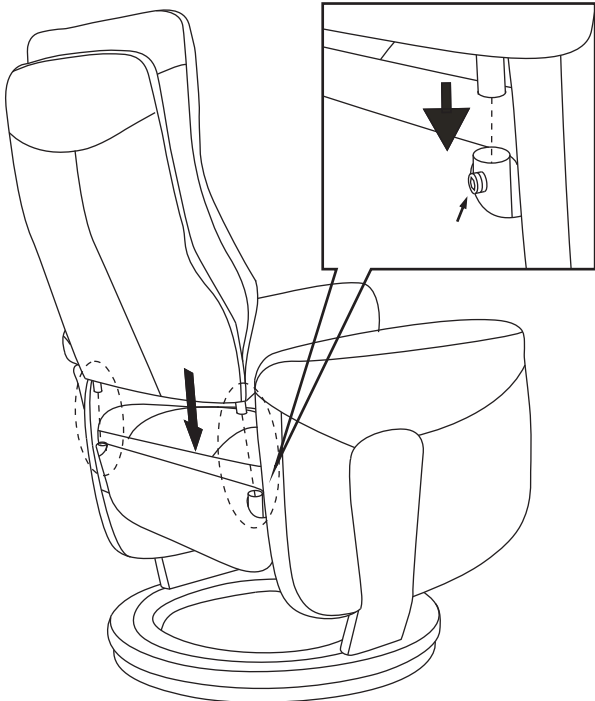


A

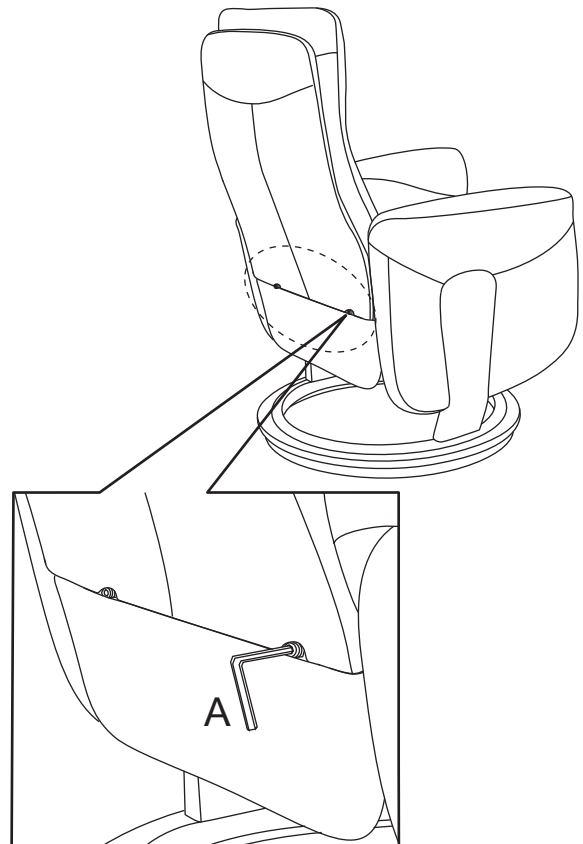


1PC

1

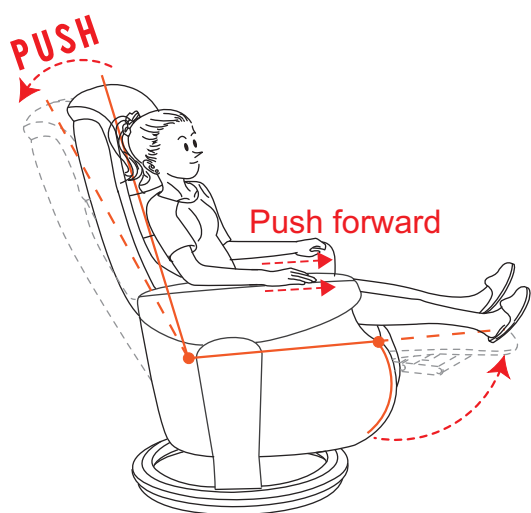


2

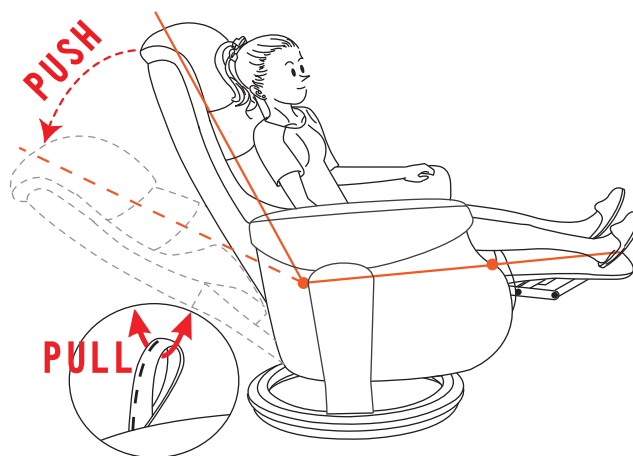


3

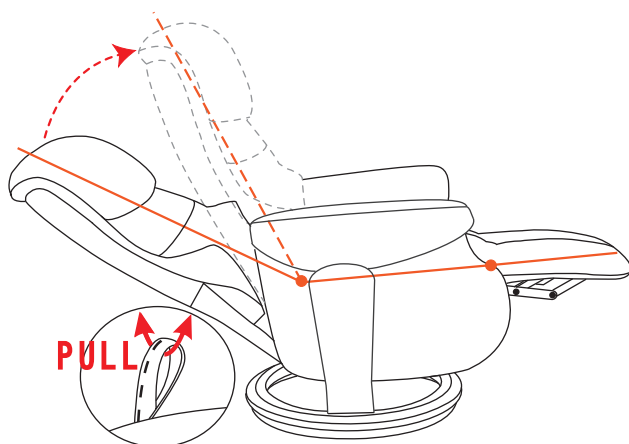
# USER'S GUIDE



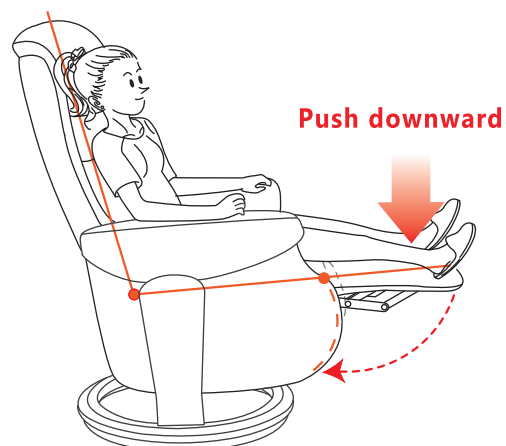
**1** To raise the footrest, grasp both armrests and push forward while leaning back in the recliner.



**2** To fully recline, pull the strap loop and lean backward.

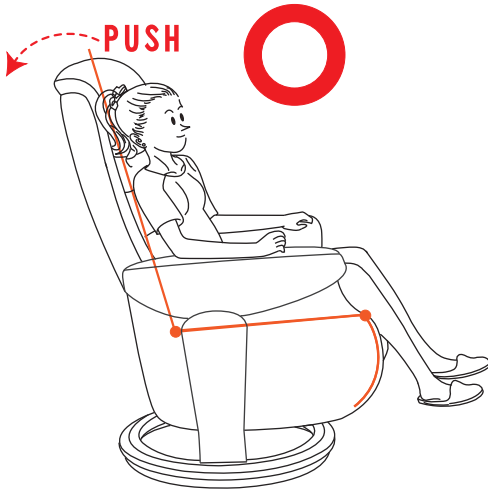


**3** To return the recliner to an upright position, pull the strap loop and sit up.

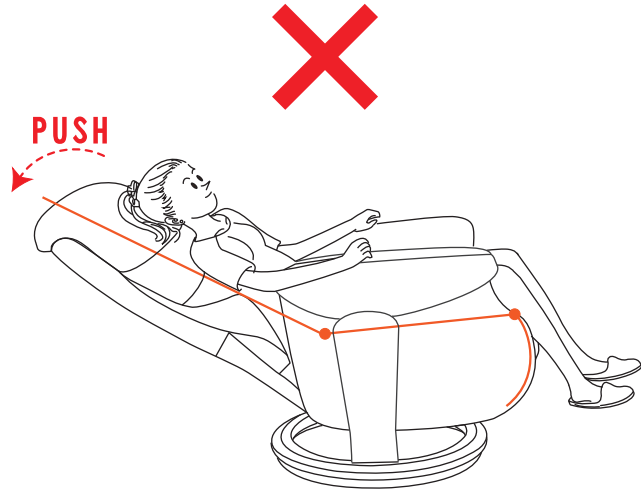


**4** To stow the footrest, push downward with your lower legs while seated.

# CAUTION



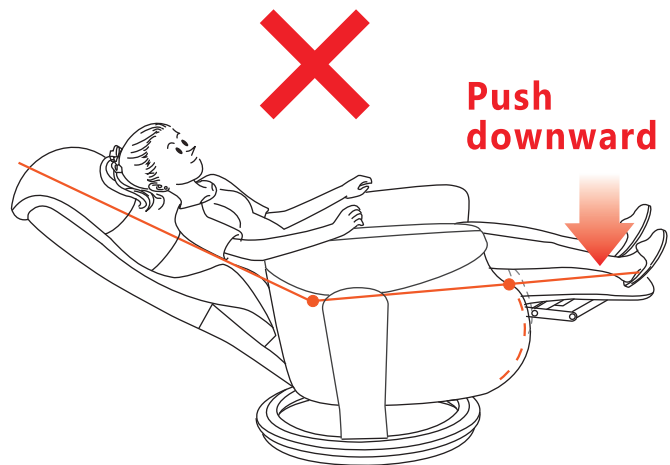
- Raise footrest from full upright position only.



- Do not raise footrest from this position.



- Stow footrest with back in full upright position.



- Do not attempt to stow footrest from this position.

## HOW TO ADJUST HEADREST



To adjust headrest: pull from back on both sides as shown.



Do not pull from side edge to adjust, material may tear



To return headrest back: push on both sides or use forearm to evenly move headrest back.

### CAUTION

Do not push in the center of the headrest as this may cause foam cushion to collapse.

